



BERG GRAND CHAMPION

Productsheet XL



BERG GRAND CHAMPION + SAFETY NET DELUXE, BERG GRAND CHAMPION
INGROUND + SAFETY NET DELUXE, BERG GRAND CHAMPION INGROUND

Become a **champion**
on our largest
oval trampoline

BERGTOYS.COM



WHY A GRAND CHAMPION?

Choose the unbeaten Champion!

The BERG Champion has been developed with great attention and care. This resulted in a qualitative excellent trampoline, which is safe to use. It does not matter which one you choose, you choose quality with a BERG Champion. The BERG Champion is cleverly designed for long and safe jumping. The combination of the TwinSpring Gold springs and the AirFlow jumping technique ensures less air resistance, a larger jump area and more jumping fun!

In this productsheet you can find information about:

- The oval shape
- The protective edge
- The jump mat
- The springs
- The frame
- The Safety Net Deluxe



Warranty

Frame:	13 year*
Protective edge:	2 year
Jumping mat:	2 year
Springs:	5 year

* On registration at bergtoys.com/registration.

* TwinSpring springs are fitted on the Elite and Champion trampolines as standard.

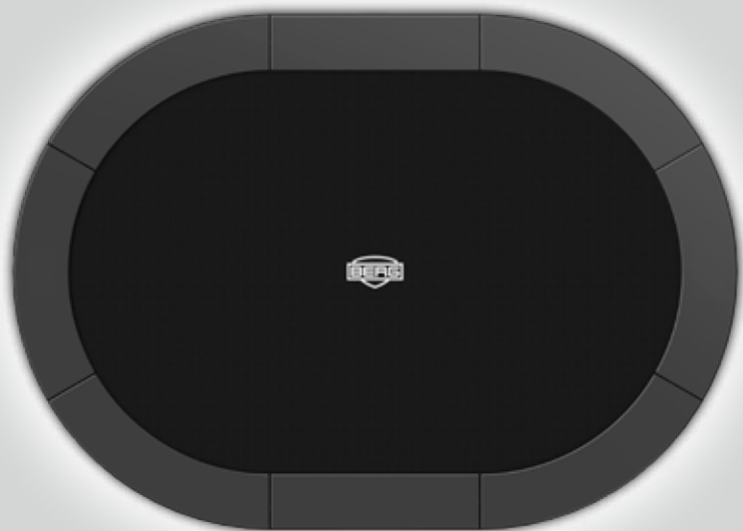
Become a **champion**
on our largest
oval trampoline

BERGTOYS.COM

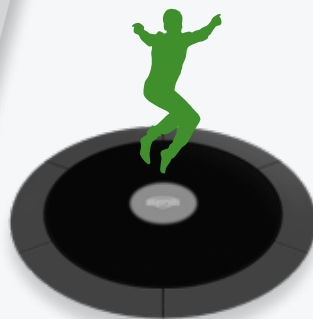


1. THE OVAL SHAPE

The oval shape combines the efficient strength of a round frame with the large jumping surface of a rectangular trampoline. On an oval trampoline you can make some nice jumps over the entire length.



Strength



Ø 42 mm
Frame tubing
Champion 430



BEST
OF
BOTH

Perfect
Jump Area

Ø 48 mm
Frame tubing
Grand Champion 520

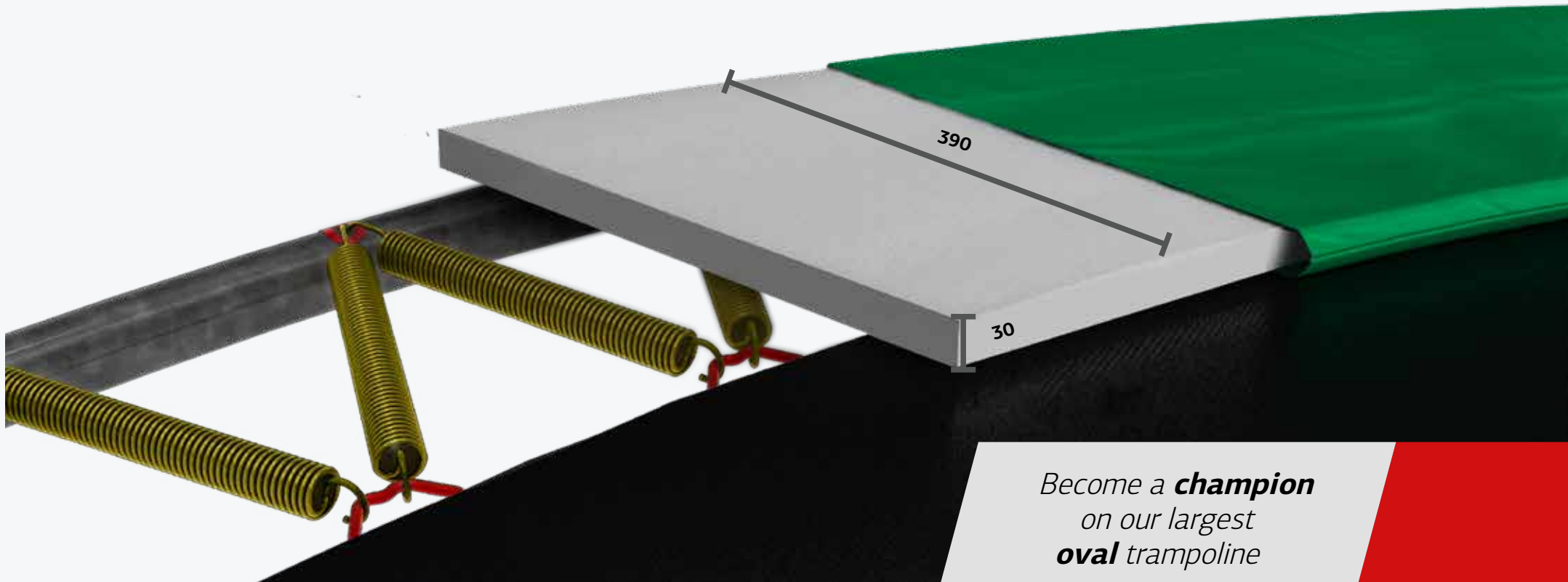


Ø 50,8 mm
Frame tubing
Ultim Champion 330



2. PROTECTIVE EDGE

The Grand Champion trampoline has a padding with a 30 mm thick foam layer. The foam layer is made from water-repellent "closed cell foam". The foam is covered by a thick water-resistant top layer of enforced PVC. The padding is 390 mm wide which ensures a good protective overlap of the springs.



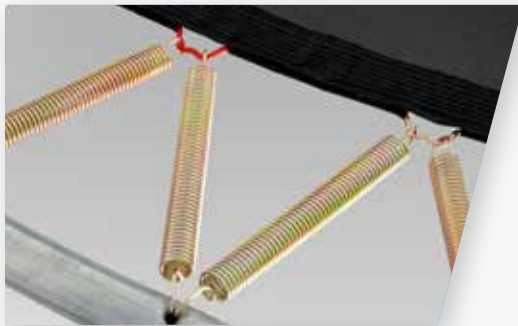
Become a **champion**
on our largest
oval trampoline



3. AIRFLOW

Higher jumps mean more fun. We have developed the AirFlow technique to enable you to make higher jumps. This jumping mat allows 50% more air permeation compared with a standard jumping mat. Good airflow ensures less resistance while jumping, which is why you can make higher jumps.

The durable AirFlow jump mat is made from woven polypropylene. The jump mat contains special spring-eyes for the TwinSpring system. The loops for the strong metal spring eyes are thoroughly joined to the jump mat with no less than 8 rows of stitching.



AIRFLOW

The AirFlow product innovation is only available on the BERG Champion and BERG Elite lines.

Become a **champion**
on our largest
oval trampoline

BERGTOYS.COM



4. TWINSPRING GOLD

The perfect jump area is that optimal part of the jump mat which results in the best jump experience. Jumping outside of this area results in a sense of feeling as if you are being pushed towards the inner part of the trampoline. Trampolines comprising of TwinSpring Gold Springs are mounted in the shape of a "V". This allows for larger perfect jump area compared to trampolines that are sold with a conventional spring.

Another advantage? Due to the angled positioning of the TwinSpring Gold, the springs are longer in length without compromising the size of the jump mat. This results in a safer trampoline that optimizes playing pleasure!

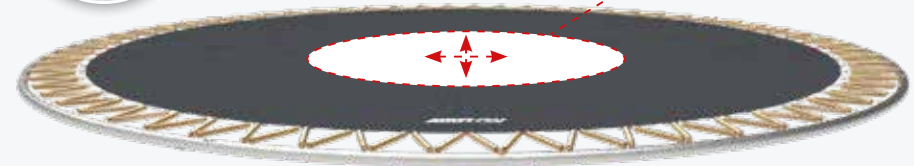
The BERG TwinSpring Gold is a long and slender spring. The spring is completely galvanized with a durable rust-resistant layer of zinc that covers the complete surface of the spring. Installing the springs has never been easier with the user-friendly installation system.

The jump mat is equipped with 4 red spring-eyes and the round top frame (top rail) of the trampoline has 4 locations that are marked red. Install the springs in between the red locations of the top rail and red spring-eyes and the jump mat is always installed properly.

TwinSpring Gold



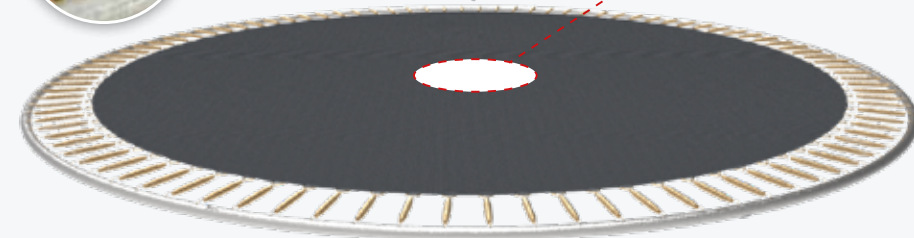
Perfect Jump Area



GoldSpring Solo



Perfect Jump Area



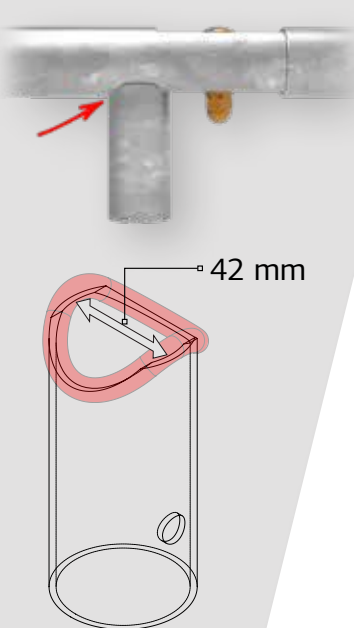
Become a **champion**
on our largest
oval trampoline



5. FRAME

The Grand Champion has a solid frame of strong tubes with a substantial tube thickness. The frame is highly rust-resistant caused by the special double coating on the tube. The tubes are first provided with a durable zinc-layer and then covered with a beautiful black powder coating layer. The frame is easy to assemble.

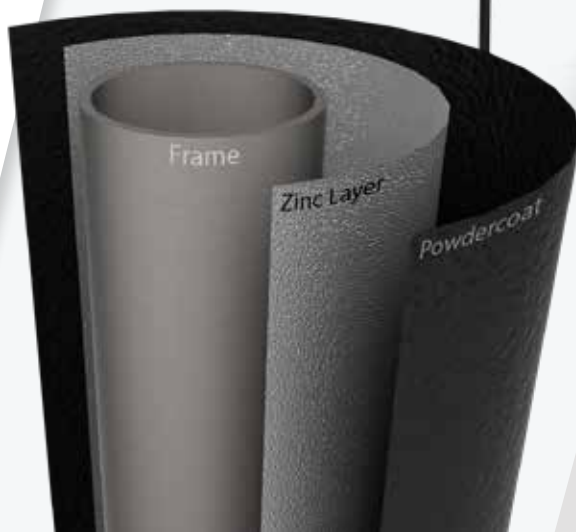
Original design



Improved design!



Applicable on all the Grand Champion models except for the Grand Champion 350



Become a **champion**
on our largest
oval trampoline



6. SAFETY NET DELUXE

The unique hoop at the top of the Safety Net keeps the net nice and taut.

Extra safe self-closing entrance.



The BERG top cap connects the top hoop with the Safety Net poles

Safety Net is extra safe and user friendly by allowing space between the edge of the netting and the edge of the trampoline.

The curved poles provide extra safety by creating distance between the Safety Net and the pole.

Foam padding around the Safety Net poles provides extra protection.



The poles are equipped with solid clamps that are easy to assemble.

Extra sturdy band material.



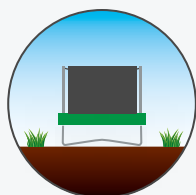
Become a **champion**
on our largest
oval trampoline



BERG GRAND CHAMPION + SAFETY NET DELUXE

Choose the unbeaten Champion!

BERG Trampoline



If you prefer not to dig a hole in your garden, a high trampoline is a good choice. A high trampoline is easy to install and move around. A high trampoline is also clearly visible in your garden.

Ø 350 and Ø 470 not in grey



Article number	EAN - Code	Product name	Package 1	Package 2	Package 3	Number of springs	Entrance height in cm	Testweight in kg	Max user weight in kg	Tube diameter / wall thickness Toprail in mm	Tube diameter / wall thickness Legs in mm	Tube diameter / wall thickness Safetynet poles in mm	Total height trampoline in cm	Safetynet height in cm
30.35.73.70	8715839067606	BERG Grand Champion 350 Green + Safety Net Deluxe	30.35.13.70	35.72.64.00	-	80	85	550	110	Ø42x2,0	Ø42x2,0	38,1 x 1,5	265	180
30.35.74.70	8715839067620	BERG Grand Champion 470 Green + Safety Net Deluxe	30.35.14.70	35.72.65.00	-	112	95	600	120	Ø48x2,0	Ø42x2	38,1 x 1,5	275	180
30.35.75.30	8715839067446	BERG Grand Champion 520 Grey + Safety Net Deluxe	30.35.15.30	30.99.15.90	35.72.63.01	144	95	600	120	Ø48x2,0	Ø42x2	38,1 x 1,5	275	180
30.35.75.70	8715839067439	BERG Grand Champion 520 Green + Safety Net Deluxe	30.35.15.30	30.99.15.90	35.72.63.01	144	95	600	120	Ø48x2,0	Ø42x2	38,1 x 1,5	275	180

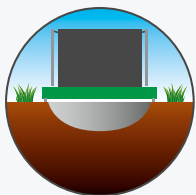
Become a **champion**
on our largest
oval trampoline



BERG GRAND CHAMPION INGROUND + SAFETY NET DELUXE

Choose the unbeaten Champion!

BERG InGround Trampoline



A sunken trampoline with a safety net has a low threshold, making it easy and safe to step onto. The InGround trampoline is less visible in the garden than a high trampoline.



Ø 350 and Ø 470 not in grey

Article number	EAN - Code	Product name	Package 1	Package 2	Package 3	Number of springs	Entrance height in cm	Testweight in kg	Max user weight in kg	Tube diameter / wall thickness Toprail in mm	Tube diameter / wall thickness Legs in mm	Tube diameter / wall thickness Safety net poles in mm	Total height trampoline in cm	Safety net height in cm
30.33.73.70	8715839067590	BERG Grand Champion InGround 350 Green + Safety Net Deluxe	30.33.13.70	35.72.64.00	-	80	27	550	110	Ø42x2,0	Ø42x2,0	-	207	180
30.33.74.70	8715839067613	BERG Grand Champion InGround 470 Green + Safety Net Deluxe	30.33.14.70	35.72.65.00	-	112	27	600	120	Ø48x2,0	Ø42x2	-	207	180
30.33.75.30	8715839067460	BERG Grand Champion InGround 520 Grey + Safety Net Deluxe	30.33.15.30	30.99.15.90	35.72.63.01	144	27	600	120	Ø48x2,0	Ø42x2	38,1 x 1,5	207	180
30.33.75.70	8715839067453	BERG Grand Champion InGround 520 Green + Safety Net Deluxe	30.33.15.70	30.99.15.90	35.72.63.01	144	27	600	120	Ø48x2,0	Ø42x2	38,1 x 1,5	207	180

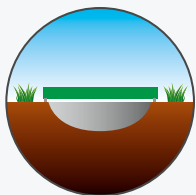
Become a **champion**
on our largest
oval trampoline



BERG GRAND CHAMPION INGROUND

Choose the unbeaten Champion!

BERG InGround Trampoline  



The sunken trampoline without safety net (sports) is nicely concealed in your garden. The low threshold of 27 centimetres makes the trampoline easy and safe to step onto.



Ø 350 and Ø 470 not in grey

Article number	EAN - Code	Product name	Package 1	Package 2	Number of springs	Entrance height in cm	Testweight in kg	Max user weight in kg	Tube diameter / wall thickness Toprail in mm	Tube diameter / wall thickness Legs in mm	Padding thickness in mm	Width padding in mm	Tube diameter / wall thickness Safetynet poles in mm	Total height trampoline in cm
30.33.13.70	8715839067552	BERG Grand Champion InGround 350 Green	-	-	80	27	550	110	Ø42x2,0	Ø42x2,0	30	390	Ø42x2,0	27
30.33.14.70	8715839067576	BERG Grand Champion InGround 470 Green	-	-	112	27	600	120	Ø48x2,0	Ø42x2	30	390	Ø42x2	27
30.33.25.30	8715839067484	BERG Grand Champion InGround 520 Grey	30.33.15.30	30.99.15.90	144	27	600	120	Ø48x2,0	Ø42x2	30	390	Ø42x2	27
30.33.25.70	8715839067477	BERG Grand Champion InGround 520 Green	30.33.15.70	30.99.15.90	144	27	600	120	Ø48x2,0	Ø42x2	30	390	Ø42x2	27

Become a **champion**
on our largest
oval trampoline



BERG GRAND CHAMPION ACCESSORIES

Choose the unbeaten Champion!

Accessory	Article	Product weight	Product weight + box	Box size in CM
1 BERG Grand weather cover Extra Green 350	35.97.37.00	4.9 kg	5.6 kg	58x38x12
2 BERG Grand weather cover Extra Green 470	35.97.47.00	7.8 kg	8.6 kg	58x38x16
3 BERG Grand weather cover Extra Grey 520	35.99.68.00	8.35 kg	9.36 kg	42x21x57
4 BERG Grand weather cover Extra Green 520	35.99.58.01	8.35 kg	9.36 kg	42x21x57

1 2 4



3



Become a **champion**
on our largest
oval trampoline





BERG GRAND CHAMPION ACCESSORIES

Choose the unbeaten Champion!

Accessory	Article	Product weight	Product weight + box	Box size in CM
1 BERG Ladder L	35.90.04.00	2.7 kg	3.4 kg	84x6x24
2 BERG Ladder Platform + Ladder L	35.90.54.00	5.5 kg	7.3 kg	56x14x54 + 24x84x6
3 BERG Anchor set	35.99.10.00	1.41 kg	1.5 kg	30x10x10



Ladder L

For trampolines measuring 85, 90 and 95 cm high. The ladder is height adjustable.

Become a **champion**
on our largest
oval trampoline



